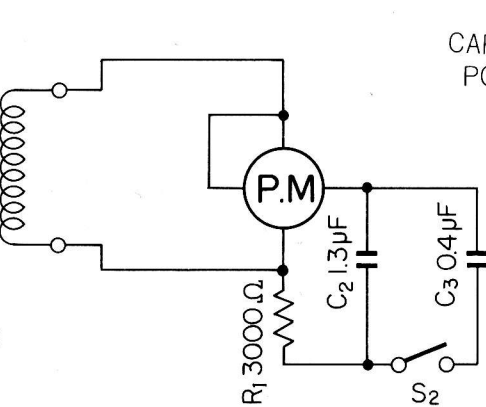
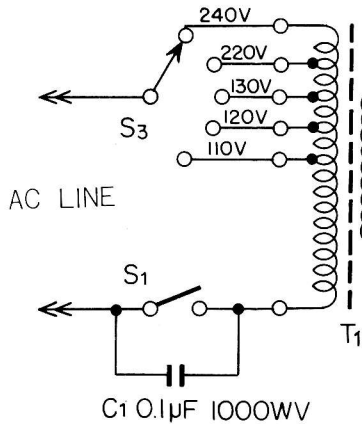


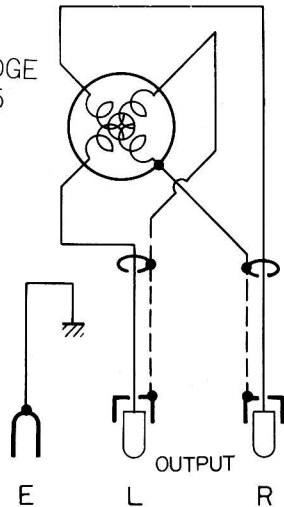


**PL-41A (PL-41, PL-41D)**

# Model PL-41/F, PL-41A/FV

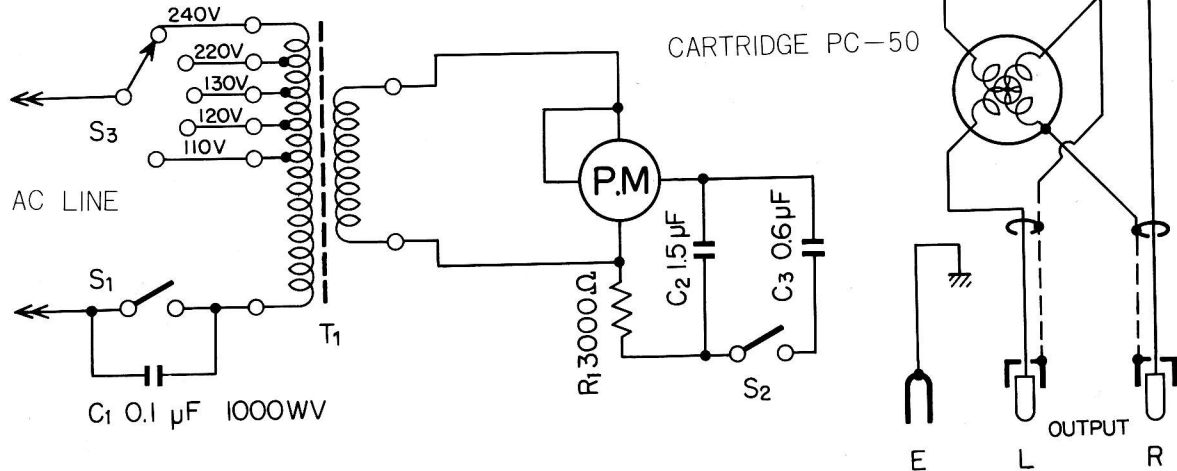


CARTRIDGE  
PC-35



- S<sub>1</sub> POWER SWITCH
- S<sub>2</sub> LINE FREQUENCY SELECTOR
- S<sub>3</sub> LINE VOLTAGE SELECTOR

# Model PL-41D/F



- S1 POWER SWITCH
- S2 LINE FREQUENCY SELECTOR
- S3 LINE VOLTAGE SELECTOR